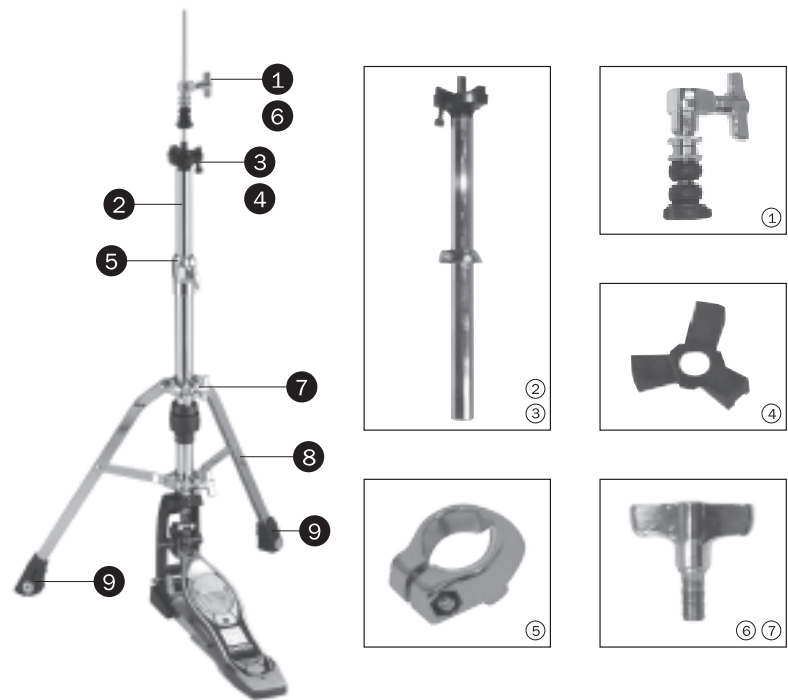
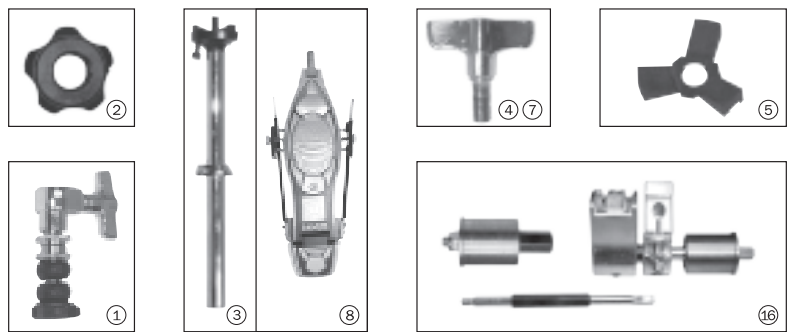
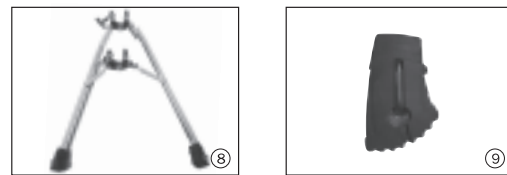


Janus Hi Hat Stand



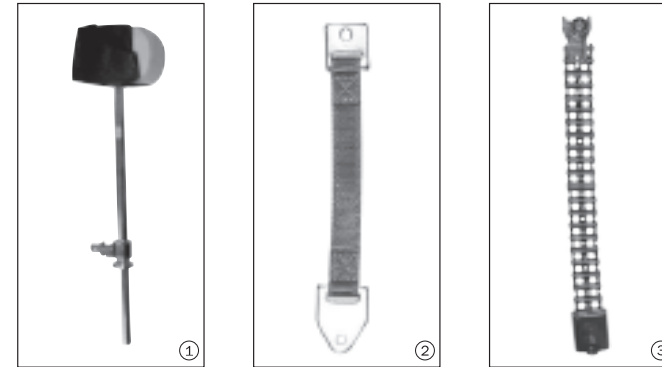
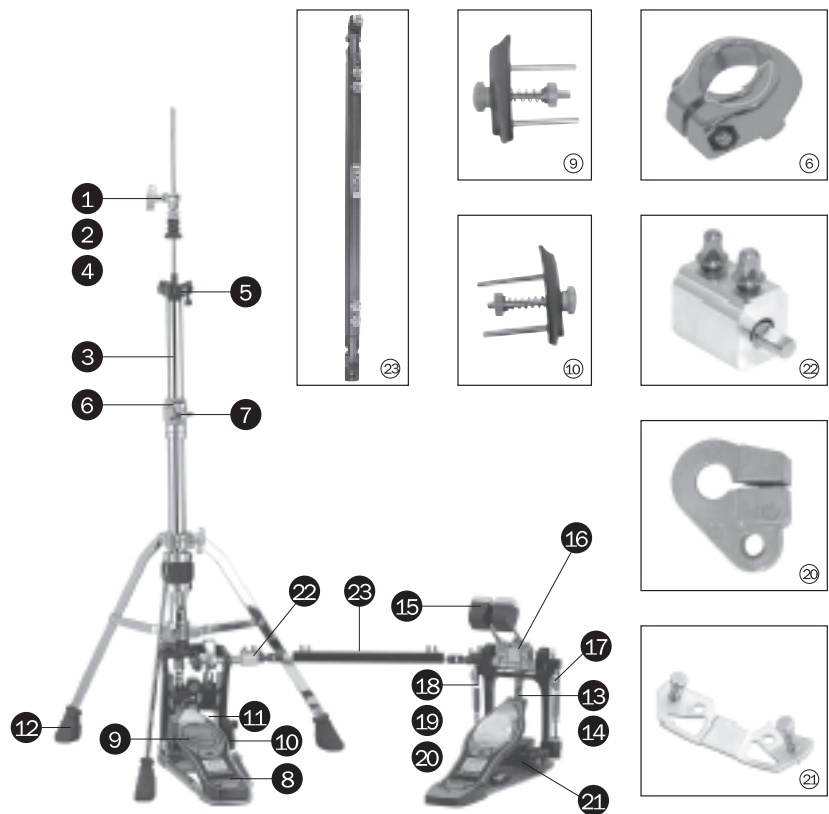
◀ JNSH6000 ▶

Item number	Description
① 2680-346A	Clutch
② 2680-075A	Upper Tube Assy.
③ 2680-320A	Cymbal Seat
④ 2680-326	Rubber Cymbal Base
⑤ 6600-095A	Memory Lock for dia. 25.4mm(1")
⑥ AZ0600200A	Wing Screw
⑦ AZ0800170A	Wing Screw
⑧ 2A50-011A	Twin Leg Assy.
⑨ 2A50-045A	Rubber Foot (1pc)



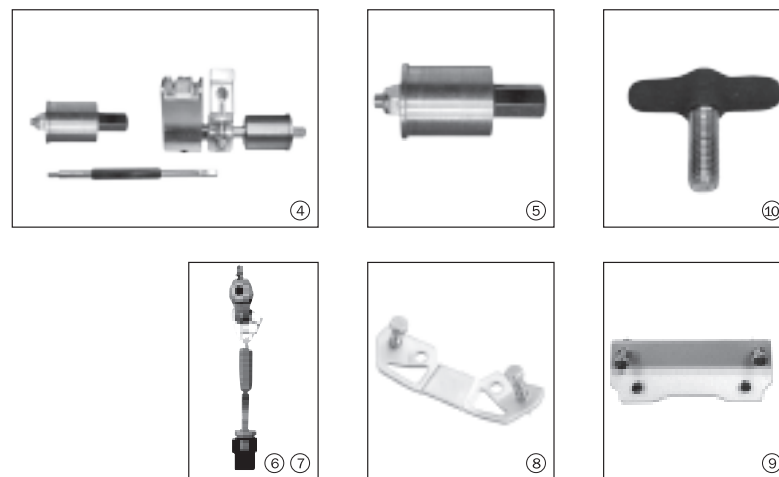
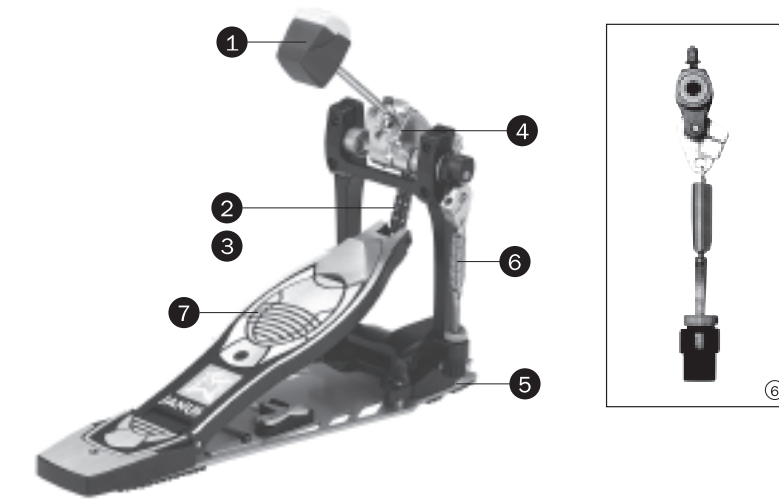
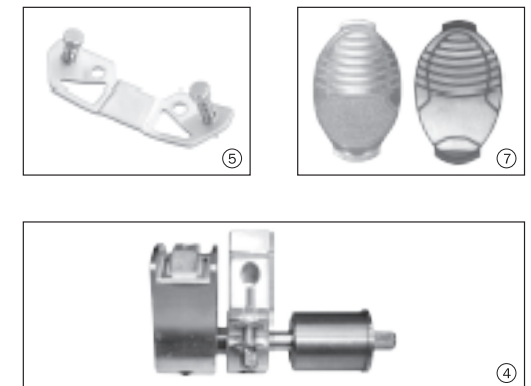
◀ JNSM7500 ▶

Item number	Description
① 2680-346A	Clutch
② 2671-360	Plastic Knob
③ 2680-075A	Upper Tube Assy.
④ 2680-320A	Cymbal Seat
⑤ AZ0600200A	Wing Screw
⑥ 2680-326	Rubber Cymbal Base
⑦ 6600-095A	Memory Lock for dia. 25.4mm(1")
⑧ AZ0800170A	Wing Screw
⑨ 2A80-220A	Pedal Plate Assy.
⑩ 2880-221A	Left Stopper Assy. for Foot Plate
⑪ 2880-222A	Right Stopper Assy. for Foot Plate
⑫ 2402-205A	Anchor Screw Assy.
⑬ 2680-045	Rubber Feet (1pc)
⑭ 4A50-256A	Belt Assy.
⑮ 4A50-255A	Chain Assy.
⑯ 4A50-515A	Drum Beater
⑰ 4A80-540A	Cam & Connector Assy.
⑱ 4A50-556A	Right Spring Assy.
⑲ 4A50-557A	Left Spring Assy.
⑳ 4A50-555X	Connector Complete for Bearing
㉑ 4A50-557	Connector Left Side
㉒ 4A50-556	Connector Right Side
㉓ 4A50-151A	Spike Assy.
㉔ 2850-207A	Connector for Linkage Assy.
㉕ 4A80-909A	Linkage Assy.



◀ JNSP7000 ▶

Item number	Description
① 4A50-515A	Beater Assy.
② 4A50-256A	Belt Assy.
③ 4A50-255A	Chain Assy.
④ 4A50-539A	Cam & Connector Assy.
⑤ 4A50-151A	Spike Assy.
⑥ 4A50-556A	Spring Assy.
⑦ 4A50-555X	Connector Complete for Bearing
⑧ 4A50-226B	Exchangable Plate (Smooth Side)
⑨ 4A50-227	Exchangable Plate (Regular Side)



◀ JNSP7500 ▶

Item number	Description
① 4A50-515A	Beater Assy.
② 4A50-256A	Belt Assy.
③ 4A50-255A	Chain Assy.
④ 4A80-540A	Cam & Connector Assy.
⑤ 4A50-541A	Cam Assy.
⑥ 4A50-556A	Right Spring Assy.
⑦ 4A50-557A	Left Spring Assy.
⑧ 4A50-555X	Connector Complete for Bearing
⑨ 4A50-556	Connector Right Side
⑩ 4A50-557	Connector Left Side
⑪ 4A50-151A	Spike Assy.
⑫ 4A80-151A	BD Spike
⑬ ST080020040HLA	Wing Screw
⑭ 4A80-909A	Linkage Assy.

